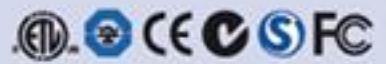
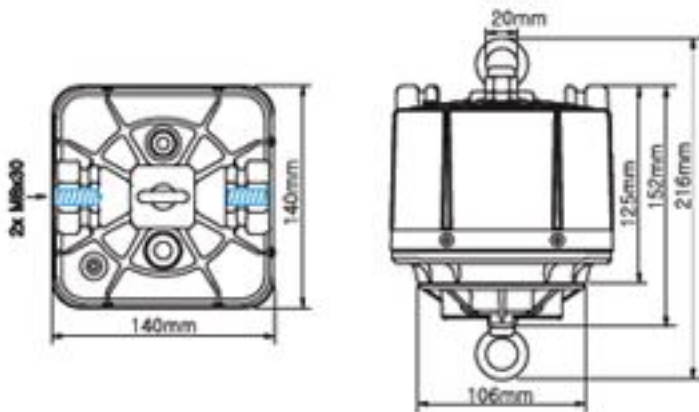


Compact Type: Universal



The Compact Type is the universal lift for most conventional and common applications, for highbays, pendants, and task lighting for commercial, industrial and domestic use.



CSI-12

CDI-15



Compact Type	CSI-12	CDI-15
Unit net weight /with packaging	3.2/3.4 kg	3.3/3.5 kg
Lifting capacity	5-12 kg	7-15 kg
Lowering distance	15 m	10 m
Temperature range	-15 bis +60 °C	-15 bis +60 °C
Protection category/class	IP 54/ II	IP 54/ II
Lifting speed	3 m/min	1.5 m/min
Suspension wires: number/diameter	1/1.4 mm	2/1.2 mm
Capacity	16 A	16 A
Operating voltage	230 VAC, 50 Hz/0.3A	230 VAC, 50 Hz/0.3A
Standby current	0.04 A	0.04 A
Type of electric motor	DC Motor	DC Motor

* These lifts are capable for Synchro-use. See pages 14-15.