

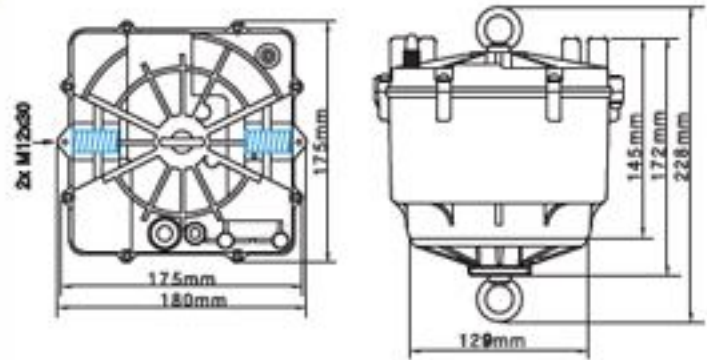
# Hook-up Type: Industry

The Hook-up Type is preferred by architects and lighting designers because it is easy to install using carabineers. These models are particularly suited for industrial, commercial applications of any kind.



HSI-18

HDI-25



Hook-up Type	HSI-18	HDI-25
Unit net weight /with packaging	6.7/7.3 kg	6.8/7.4 kg
Lifting capacity	7-18 kg	10-25 kg
Lowering distance	10 m	10 m
Temperature range	-15 bis +60 °C	-15 bis +60 °C
Protection category/class	IP 54/ II	IP 54/ II
Lifting speed	4.4 m/min	2.4 m/min
Suspension wires: number/diameter	1/2 mm	2/1.6mm
Capacity	16 A	16 A
Operating voltage	230V AC, 50 Hz/0.8 A	230 VAC, 50 Hz/0.8 A
Standby current	0.1 A	0.1 A
Type of electric motor	AC Motor	AC Motor

\* These lifts are capable for Synchro-use. See pages 14-15.