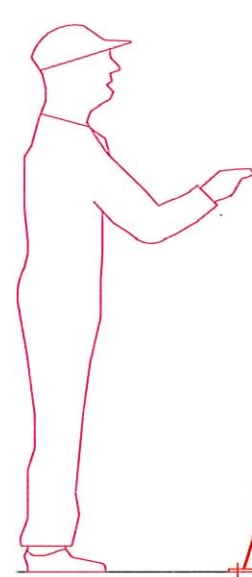
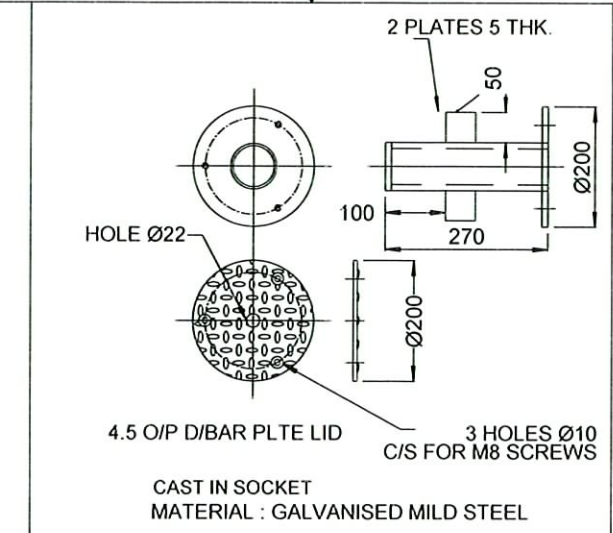


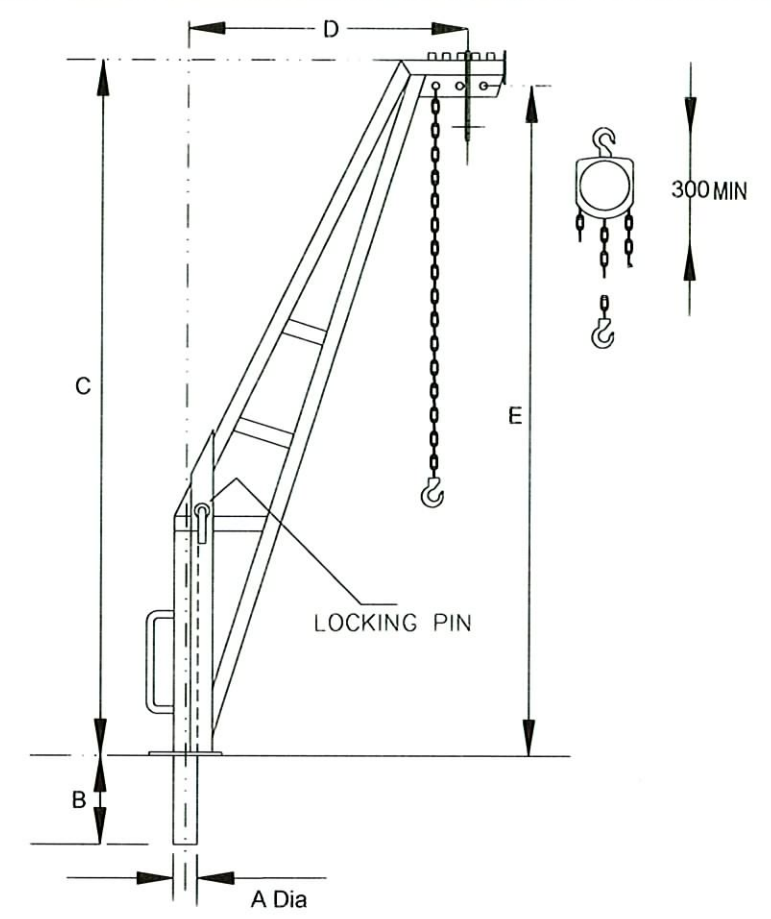
JIB



JIB POST

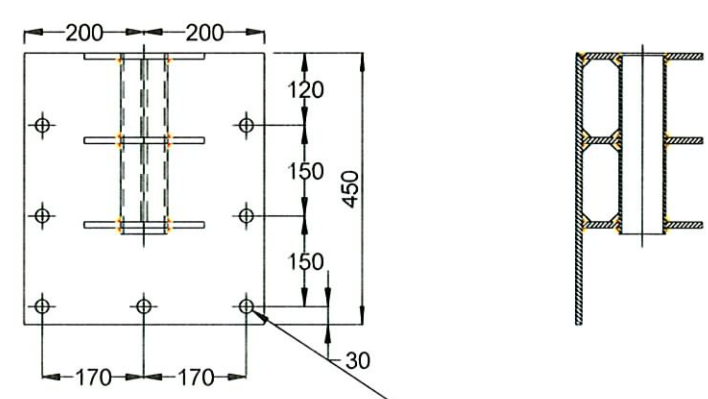
LOCKING PIN, LOCATES INSIDE FRAME

SURFACE MOUNTED SOCKET

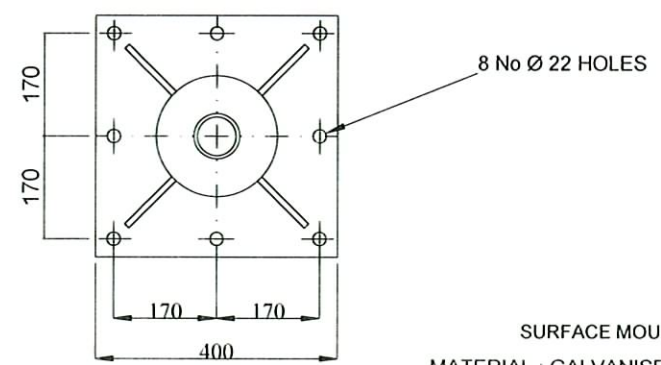
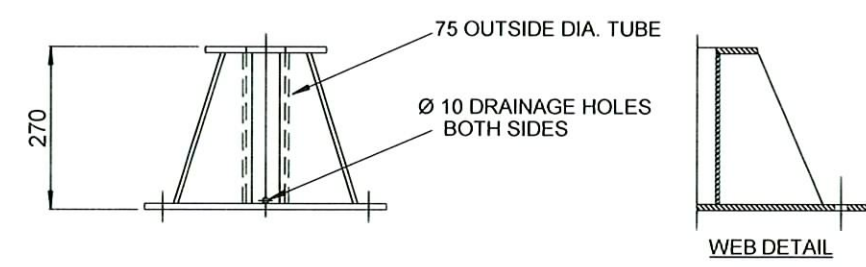


	SWL KGS	A	B	C	D	E
D25K5	250	76	240	1900	760	
D25K10	250	76	240	1900	1000	
D25K20	250	85	250	2090	1070	2000
D25K28	250	65	240	1900	760	
D50K9	500	85	240	1900	760	
D50K14	500	85	250	2090	1000	2000
D50K25	500	75	240	1900	760	
D50K26	500	65	240	1900	760	
D50K33	500	85	250	2090	1200	2000
D50K52*	500	90	250	2090	1500	2000
D75K7*	750	90	250	2200	1000	
D75K8*	750	90	250	2200	1070	
D100K8*	1000	90	250	2200	1070	

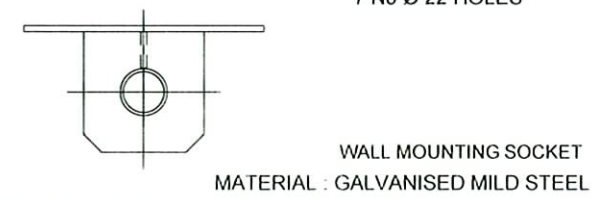
\* EACH PART MAY EXCEED 25KGS



7 No Ø 22 HOLES



SURFACE MOUNTING SOCKET  
MATERIAL : GALVANISED MILD STEEL



**DALE**  
Lifting and Handling  
  
2 Kelbrook Road  
Openshaw  
Manchester  
M11 2QA  
Phone 0161 223 1990  
Fax 0161 223 6767  
Email: daleandco@btinternet.com  
www.dale-lifting.co.uk

TITLE <b>Cranked Lifting Davit</b>		first angle projection 	
SIZE <b>A3</b>	DWG NO <b>DPLPG8</b>	SHEET	
SCALE <b>1:25</b>	Drawn by <b>PK</b>	REV	

This document is the property of Dale&Co (Ancoats) Ltd. Manchester M11 2QA and is supplied in confidence. It must not be used for any purpose other than that for which it is supplied, and must not be reproduced without permission in writing from the owner. Copyright is the property of Dale & Co