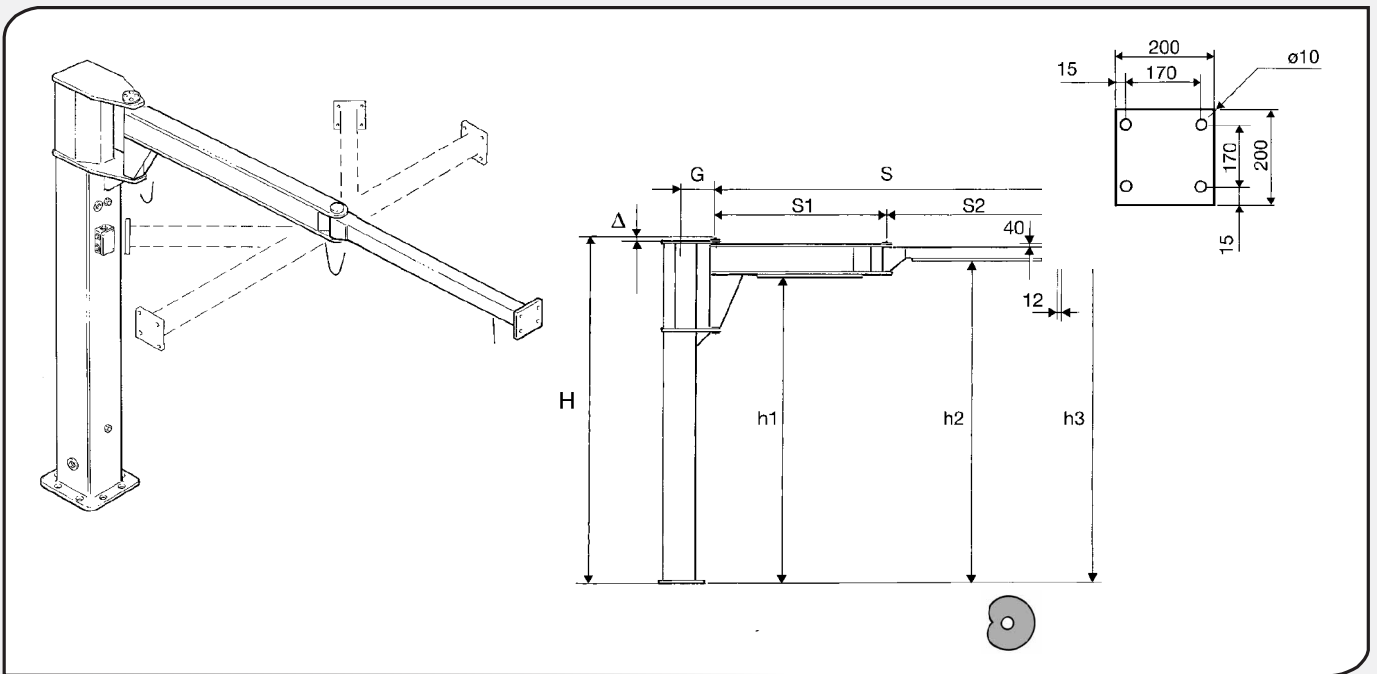


Lifting capacity	Arm	Size of jib crane
kg	m	
125	3	A

Wall-mounted jib crane designed for the application of manipulators – MBB series												
Type	Overall dimensions (mm)											Weight of crane kg
	S1	S2	A	C	C1	C2	C3	D	E	F	Ø	
A01A3L	1000	2000	225	644	200	373	563	200	594	150	15	122
A01A3M	1500	1500	225	644	200	373	563	200	594	150	15	144
A01A3N	2000	1000	225	644	200	373	563	200	594	150	15	166



Lifting capacity	Arm	Size of jib crane
kg	m	
125	3	A

Column-mounted jib crane designed for the application of manipulators – CBB series										Weight by m	
Height H mm	Type	Overall dimensions (mm)								Crane kg	Column kg
		S1	S2	H1	H2	H3	G	Δ			
3020	A30A3L	1000	2000	2603	2777	2967	220	20	171	18	
	A30A3M	1500	1500	2603	2777	2967	220	20	193	18	
	A30A3N	2000	1000	2603	2777	2967	220	20	215	18	