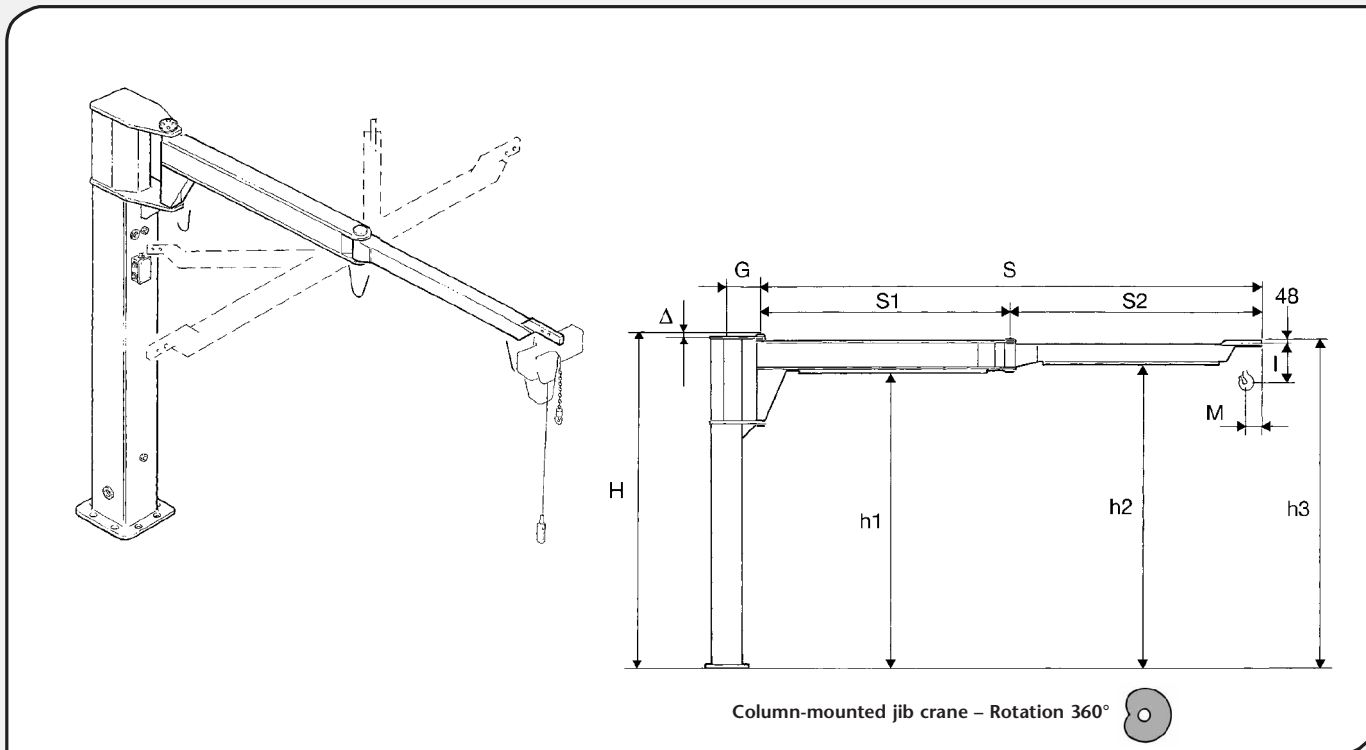


COLUMN-MOUNTED JIB CRANES WITH ARTICULATED ARM, WITH FIXED HOIST – CBB SERIES



Column-mounted jib crane – Rotation 360°

Lifting capacity kg	Arm S m	Size of jib crane	Column-mounted jib crane with articulated arm with fixed hoist – CBB series												Weight Crane kg	Column by m kg
			Height H mm	Type	Overall dimensions (mm)						Added hoist					
					Under beam		h3	S1	S2	G	M	Δ	DMK	Height I		
h1	h2	h3	S1	S2	G	M									Δ	DMK
125	3	A	3020	A30A3A	2603	2777	2995	1000	2000	220	180	32	1	285	163	18
			3020	A30A3B	2603	2777	2995	1500	1500	220	180	32	1	285	187	18
			3020	A30A3C	2603	2777	2995	2000	1000	220	180	32	1	285	209	18
	4	B	3020	A30B4A	2603	2737	2995	1000	3000	255	180	32	1	285	222	28
			3020	A30B4B	2603	2737	2995	1500	2500	255	180	32	1	285	244	28
			3020	A30B4C	2603	2777	2995	2000	2000	255	180	32	1	285	252	28
			3020	A30B5A	2603	2737	2995	2000	3000	255	180	32	1	285	279	28
			3020	A30B5B	2603	2737	2995	2500	2500	255	180	32	1	285	301	28
			3020	A30B5C	2603	2777	2995	3000	2000	255	180	32	1	285	311	28
	6	C	3525	A35C6B	3083	3220	3478	2500	3500	310	180	47	1	285	443	34
			3525	A35C6C	3083	3220	3478	3000	3000	310	180	47	1	285	478	34
			3525	A35C7A	3083	3200	3478	3000	4000	310	180	47	1	285	506	34
3525	A35C7B	3083	3220	3478	3500	3500	310	180	47	1	285	527	34			
250	3	B	3020	A30B3A	2603	2737	2995	1000	2000	255	180	32	1-2	285-318	205	28
			3020	A30B3B	2603	2737	2995	1500	1500	255	180	32	1-2	285-318	226	28
	4	C	3525	A35C4A	3083	3180	3478	1000	3000	310	180	42	1-2	285-318	335	34
			3525	A35C4C	3083	3220	3478	2000	2000	310	180	42	1-2	285-318	375	34
			3525	A35C5A	3083	3180	3478	2000	3000	310	180	42	1-2	285-318	412	34
			3525	A35C5B	3083	3180	3478	2500	2500	310	180	42	1-2	285-318	441	34
			3525	A35D6B	3083	3180	3478	2500	3500	360	180	42	1-2	285-318	525	51
			3525	A35D6C	3083	3180	3478	3000	3000	360	180	42	1-2	285-318	557	51
			3525	A35D7A	3083	3180	3478	3000	4000	360	180	42	1-2	285-318	582	51
			3525	A35D7B	3083	3180	3478	3500	3500	360	180	42	1-2	285-318	609	51
500	3	C	3525	A35C3A	3083	3220	3478	1000	2000	310	180	42	2	318	299	34
			3525	A35C3F	3083	3220	3478	1000	2000	310	190	42	3	385	299	34
			3525	A35C3B	3083	3220	3478	1500	1500	310	180	42	2	318	332	34
	4	D	3525	A35C3G	3083	3220	3478	1500	1500	310	190	42	3	385	332	34
			3525	A35D4A	3083	3180	3478	1000	3000	360	180	42	2	318	395	51
			3525	A35D4F	3083	3180	3478	1000	3000	360	190	42	3	385	395	51
			3525	A35D4C	3083	3220	3478	2000	2000	360	180	42	2	318	435	51
			3525	A35D4H	3083	3220	3478	2000	2000	360	190	42	3	385	435	51
			3525	A35D5A	3083	3180	3478	2000	3000	360	180	42	2	318	472	51
	5	D	3525	A35D5F	3083	3180	3478	2000	3000	360	190	42	3	385	472	51
			3525	A35D5B	3083	3180	3478	2500	2500	360	180	42	2	318	501	51
			3525	A35D5G	3083	3180	3478	2500	2500	360	190	42	3	385	501	51
			4025	A40E6A	3565	3620	3958	2000	4000	415	180	45	2	318	805	73
			4025	A40E6F	3565	3620	3958	2000	4000	415	190	45	3	385	805	73
			4025	A40E6C	3565	3660	3958	3000	3000	415	180	45	2	318	862	73
			4025	A40E6H	3565	3660	3958	3000	3000	415	190	45	3	385	862	73
			4025	A40E7A	3565	3620	3958	3000	4000	415	180	45	2	318	920	73
			4025	A40E7F	3565	3620	3958	3000	4000	415	190	45	3	385	920	73
7	E	4025	A40E7B	3565	3620	3958	3500	3500	415	180	45	2	318	970	73	
		4025	A40E7G	3565	3620	3958	3500	3500	415	190	45	3	385	970	73	