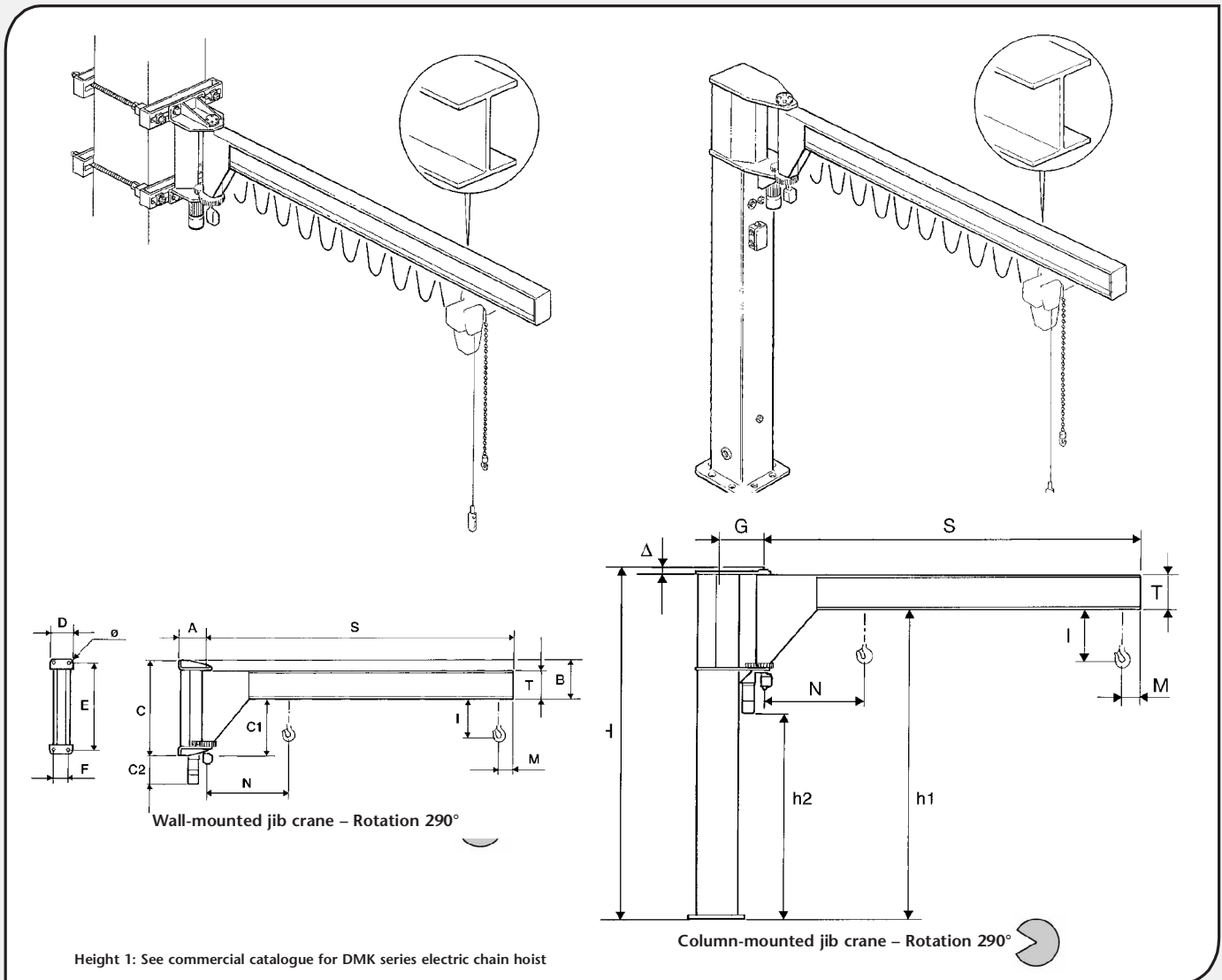


MBE/CBE SERIES JIB CRANE - T VERSION – MOTORISED ARM CANTILEVER VERSION



Lifting capacity kg	Arm S m	Size of jib crane	MBE series wall-mounted jib crane – T version – Motorised arm in cantilever version																
			Type	Overall dimensions (mm)										Speed of arm		Motor power	Weight of crane		
				A	B	C	C1	C2	D	E	F	Ø	M	N	T	n° of revolutions r.p.m.	peripheric m/min	kw	kg
500	4	D	ET02D40	340	406	930	524	378	250	870	190	22	180	890	300	1	25	0.4	313
	5	D	ET02D50	340	406	930	524	378	250	870	190	22	180	950	300	0.8	25	0.4	355
1000	2	D	ET02D20	340	406	930	524	378	250	870	190	22	180	830	300	1.6	20	0.4	229
	3	D	ET02D30	340	406	930	524	378	250	870	190	22	180	890	300	1.2	23	0.4	271
	4	E	ET03E40	365	500	1240	740	348	300	1160	220	34	180	960	360	1	25	0.4	456
	5	E	ET03E50	365	500	1240	740	348	300	1160	220	34	180	1020	360	0.8	25	0.4	514
	6	F	ET03F60	365	500	1240	740	348	300	1160	220	34	180	1070	360	0.6	23	0.4	574
2000	2	E	ET03E20	365	500	1240	740	348	300	1160	220	34	220	940	360	1.6	20	0.4	341
	3	E	ET03E30	365	500	1240	740	348	300	1160	220	34	220	1000	360	1.2	23	0.4	399

Lifting capacity kg	Arm S m	Size of jib crane	CBE series column-mounted jib crane – T version – Motorised arm in cantilever version																
			Total Height H m	Type	Under beam H1	H2	G	M	N	T	Δ	Speed of arm		Motor power	Weight Crane kg	Column by m kg			
500	4	D	3.5	ET35D40	3152	2250	410	180	890	300	17	1	25	0.4	488	51			
	5	D	3.5	ET35D50	3152	2250	410	180	950	300	17	0.8	25	0.4	530	51			
1000	2	D	3.5	ET35D20	3152	2250	410	180	830	300	17	1.6	20	0.4	404	51			
	3	D	3.5	ET35D30	3152	2250	410	180	890	300	17	1.2	23	0.4	446	51			
	4	E	4	ET40E40	3580	2492	435	180	960	360	20	1	25	0.4	737	73			
	5	E	4	ET40E50	3580	2492	435	180	1020	360	20	0.8	25	0.4	795	73			
	6	F	4	ET40F60	3580	2492	480	180	1070	360	20	0.6	23	0.4	968	100			
2000	2	E	4	ET40E20	3580	2492	435	220	940	360	20	1.6	20	0.4	622	73			
	3	E	4	ET40E30	3580	2492	435	220	1000	360	20	1.2	23	0.4	680	73			