



Table of contents

▶ **Mobile folding Crane**
range **UGC** p.112



▶ **Trolley Jacks**
range **UGJ** p.113



▶ **Hydraulic lifting Tables**
range **UGT** p.114



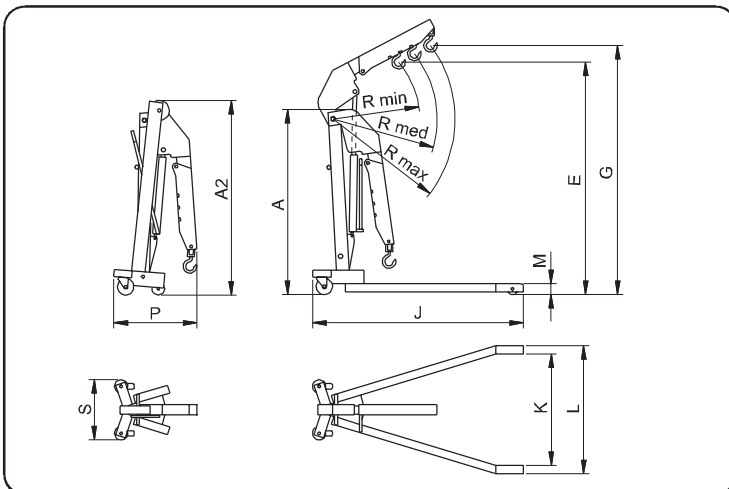
▶ **Hydraulic Bottle Jacks**
range **UMB** p.115



Mobile Folding Floor Crane



Capacity: **500 - 2000 Kg**



FEATURES

UGC floor cranes are robust, versatile, and fully folding for easy storage.

There are three models available with maximum lifting capacities from 500kg to 2000 kg. Each model is fitted with hard wearing polyamide wheels and castors for smooth and quiet operation.

The three position fully extendable jib is fitted with a handle to facilitate easy positioning and is complete with lifting hook.

The combined cylinder and pump unit swivels to allow the operator maximum access and control.

The cylinder has a safety valve and a stroke limitation device.

APPLICATIONS

These cranes are used in a wide variety of applications including, machinery and engine removal, and in machine shops.

UGC cranes are essential for lifting, moving and positioning of motors and engines and where space is limited.

Selection chart

Capacity			Model	Dimensions mm													Weight Kg
Position 1	Position 2	Position 3		A	A2	E	G	J	K	L	M	R min.	R med.	R max.	P	S	
Kg	Kg	Kg															
500	400	325	UGC5	1400	1400	1970	2080	1500	820	970	80	1050	1150	1250	465	450	92
1000	800	700	UGC10	1675	1675	2275	2415	1695	935	1085	80	1260	1405	1550	545	450	121
2000	1750	1650	UGC20	1720	1815	2340	2500	1900	1035	1205	200	1275	1420	1570	635	570	173

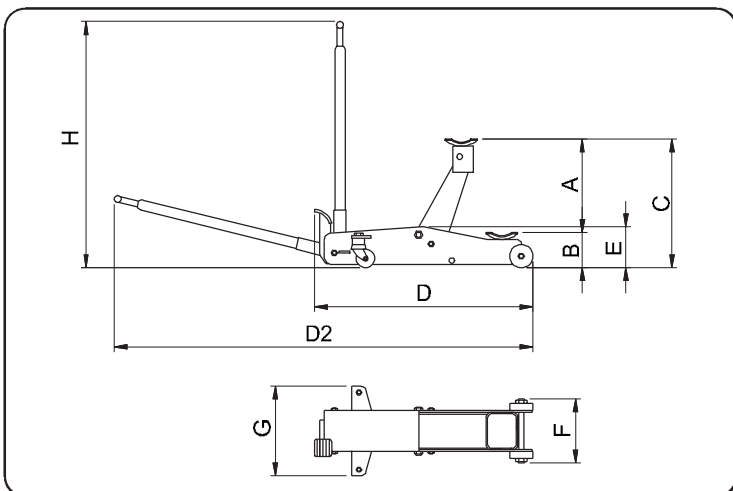


Always check that the pin is fully secured in the correct locating hole, depending on the jib position, and the load to be lifted.

Trolley Jacks



Capacity: **2 - 10 t**



FEATURES

UGJ trolley jacks feature polyamide swivel castors for smooth and quiet operation. All models are fitted with a foot pedal for fast approach to the load. In addition all models are fitted with a safety valve and stroke limiting device. The 2 ton and 3 ton models have polyamide wheels whilst the 6 and 10 tonne models have cast wheels.

APPLICATIONS

These jacks are intended for use mainly in machine shops and garages to lift vehicles.

Selection chart

Capacity	Model	Dimensions mm									Weight Kg
		A	B	C	D	D2	E	F	G	H	
t											
2	UGJ2	365	125	490	900	1885	165	245	360	990	34
3	UGJ3	380	145	525	1220	2215	190	250	350	1100	52
6	UGJ6	380	195	575	1300	2300	220	300	425	1100	82
10	UGJ10	380	195	575	1600	2600	260	345	425	1100	111

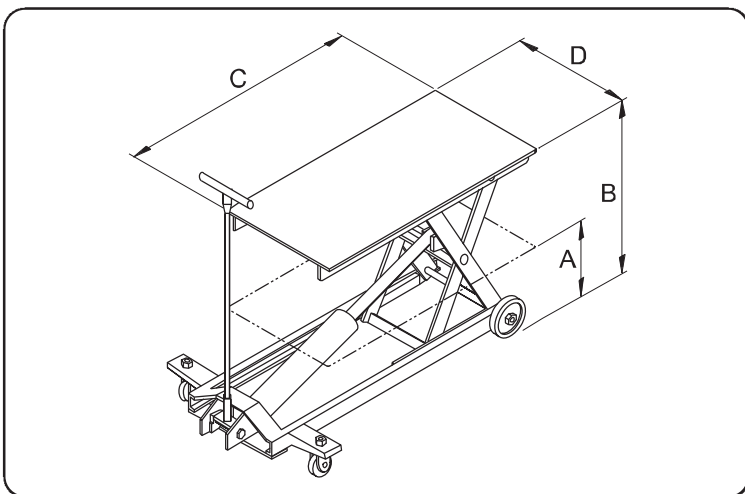


Check that the saddle is placed centrally under the load to be lifted

Hydraulic lifting table



Capacity: **2 t**



FEATURES

The UGT hydraulic lifting table has been designed to lift loads of up to 2 tonne. The lifting height of 880 mm enables the operator to work in a very comfortable position. The table can be locked mechanically by safety pins at three different positions.

UGT tables are equipped with foot pedal for fast approach to the load. The cylinder is fitted with a safety valve and stroke limitation device. The polyamide fixed and swivel wheels are quiet in operation, and do not cause damage to floors.

APPLICATIONS

In machine shops, garages, and a variety of industrial uses.

Selection chart

Capacity	Model	Dimensions mm				Weight
		A	B	C	D	
t						Kg
2	UGT2	300	880	1060	540	187



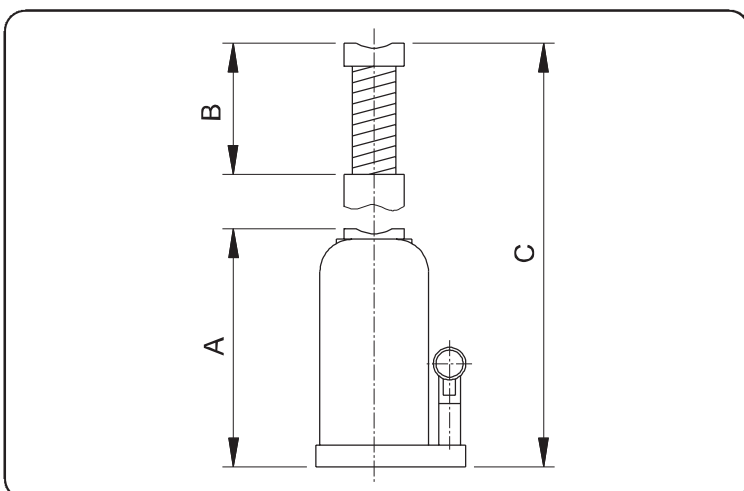
Use the foot pedal for a fast approach to the load.

Hydraulic Bottle Jacks



Force: **3-50 t**

Stroke: **150 mm**



FEATURES

UMB bottle jacks are produced with a one piece base, cylinder and reservoir. This eliminates any potential leaks between the base and reservoir.

All jacks are supplied with a operating lever. 20, 30 and 50 tonne models have a carry handle for ease of transport.

All models can be used horizontally with the pumping unit below the cylinder. The seals are easily replaced cutting service time down to the minimum.

Jacks are fitted with a stroke limiting device and safety valves.

APPLICATIONS

These jacks are ideal for a variety of lifting or pushing jobs and can be used in many different industries.

Selection chart

Capacity	Stroke	Model	Dimensions mm			Weight
			A	B	C	Kg
3	150	UMB3N150	210	65	425	4,2
5		UMB5N150	212	75	437	5,0
8		UMB8N150	219		444	6,0
10		UMB10N150	219		444	6,5
12		UMB12N150	226		451	8,0
15		UMB15N150	228		453	9,0
20		UMB20N150	234		459	11,5
25		UMB25N150	240		465	15,0
30		UMB30N150	242		467	15,5
50		UMB50N150	252	-	402	28,5

Follow our safety instructions
see **useful pages**

P. **120**