

Criteria of use and operating limits

- It is necessary to check the parameters which characterize operating limits of the DMK electric chain hoists to be able to have a complete correspondance between the DMK electric chain hoists and the service they were designed for. The operating limits are: **actual lifting capacity**, **state of stress** and **average duration of daily use**.

1) Actual lifting capacity

- This is determined by the heaviest load to be lifted.

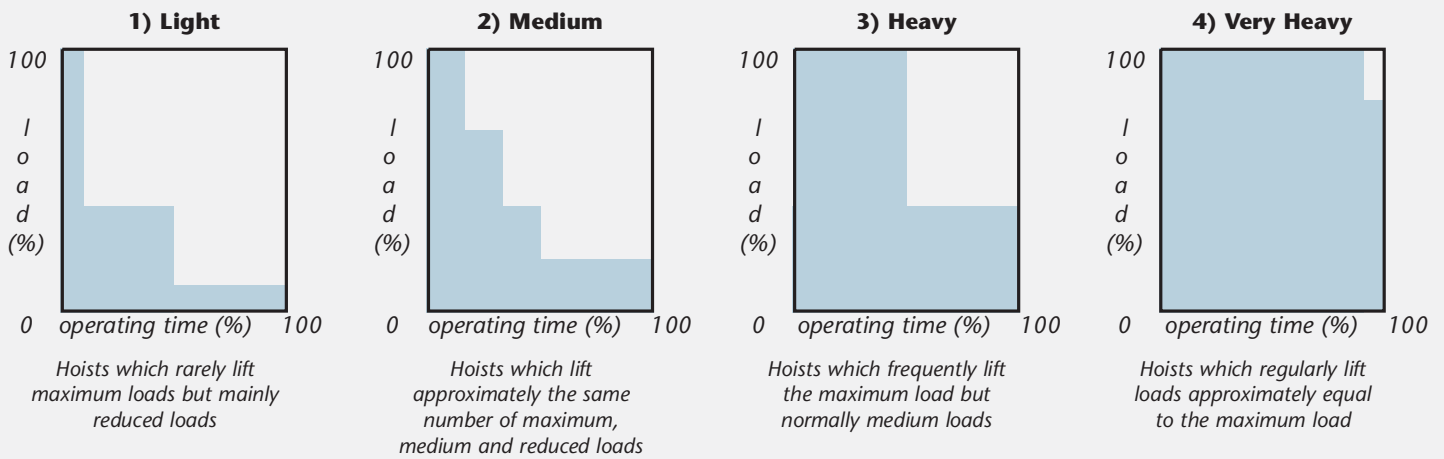
!

The nominal lifting capacity of the hoist must be \geq the actual lifting capacity

Lifting capacity = kg

2) State of stress

- The state of stress is evaluated considering the actual entity of the loads to be lifted and it is ascribable to one of the four spectrums of load shown below which determine the type of service.



3) Average duration of daily use - Tm = Hours

- For **lifting** operations the average duration of use is decided in the following way:

$$T_m \text{ (hours)} = \frac{AHR \times C/h \times Rt}{30 \times S}$$

Actual hook run	Operative cycles	Running time	Lifting speed
<p>AHR = m</p>	<p>C/h = N° cycles per hour</p>	<p>Rt = hours</p>	<p>S = m/min.</p>
<p><i>It is the average of the actual runs of the load</i></p>	<p><i>It is the number of complete ascents and descents carried out in an hour</i></p>	<p><i>Hoist running time in a whole day</i></p>	<p><i>It is the distance covered by the load in a minute</i></p>

Check that the **State of stress** and the **average duration of daily use** verified are not in contrast with the data in the following table; and, according to the capacity, choose the hoist.

Operating limits of DMK hoists in relation with the service groups of the mechanisms, according to FEM 9.511/86 (ISO 4301/88)							
FEM (ISO) Group	Average duration of daily use - Tm=Hours; with load				Intermittance rapport %	N of starts per hour	N of cycles per hour
	1) Light	2) Medium	3) Heavy	4) Very heavy			
1 Bm (M 3)	≤ 2	≤ 1	≤ 0.5	≤ 0.25	RI = 25%	S/h = 150	C/h = 25
1 Am (M 4)	≤ 4	≤ 2	≤ 1	≤ 0.5	RI = 30%	S/h = 180	C/h = 30
2 m (M 5)	≤ 8	≤ 4	≤ 2	≤ 1	RI = 40%	S/h = 240	C/h = 40

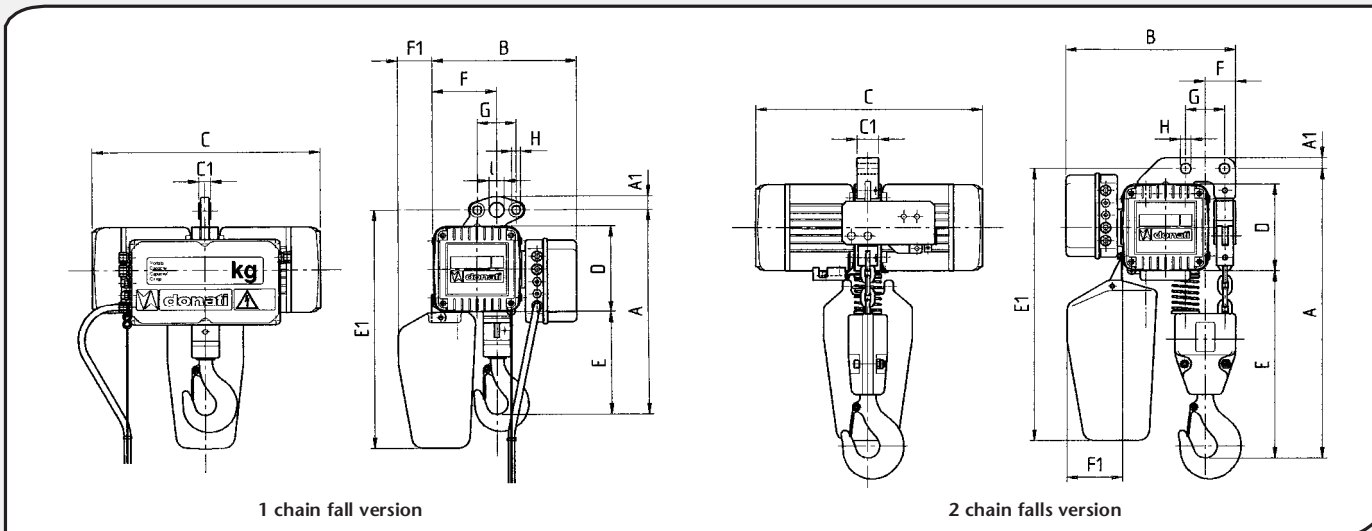
Characteristics and technical data for DMK chain hoists and DMT trolleys

Characteristics and technical data for DMK chain hoists and DMT trolleys																			
Capacity (kg)	FEM Group	Type DMK	Chain falls	Lifting speed (m/min.)		Lifting motor power (KW)		DMT trolley for hoist and related speed (m/min.) E=electric trolley S=manual-push trolley C=manual gear operated trolley						Trolley motor power (KW) Speed (m/min.)				Chain type	weight of 1 meter of chain (kg/m)
				1 Speed	2 Speed	1 Speed	2 Speed	S	C	11	14	22	7 22	11	14	22	7 22		
125	2m	154C	1	8	/	0.2	/	SM2	CM3	EM3	EM3	EM3	EM3	0.12	0.18	0.25	0.08 0.25	4x12	0.38
	2m	132D	1	8	2.5	0.2	0.06	SM2	CM3	EM3	EM3	EM3	EM3	0.12	0.18	0.25	0.08 0.25	4x12	0.38
	2m	232C	1	16	/	0.4	/	SM2	CM3	EM3	EM3	EM3	EM3	0.12	0.18	0.25	0.08 0.25	5x15	0.58
250	2m	134C	1	4	/	0.2	/	SM2	CM3	EM3	EM3	EM3	EM3	0.12	0.18	0.25	0.08 0.25	4x12	0.38
	2m	112D	1	4	1.2	0.2	0.06	SM2	CM3	EM3	EM3	EM3	EM3	0.12	0.18	0.25	0.08 0.25	4x12	0.38
	2m	234C	1	8	/	0.4	/	SM2	CM3	EM3	EM3	EM3	EM3	0.12	0.18	0.25	0.08 0.25	5x15	0.58
	2m	234D	1	8	2.5	0.4	0.12	SM2	CM3	EM3	EM3	EM3	EM3	0.12	0.18	0.25	0.08 0.25	5x15	0.58
	2m	332C	1	16	/	0.8	/	SM3	CM3	EM3	EM3	EM3	EM3	0.12	0.18	0.25	0.08 0.25	7x21	1.16
500	2m	214C	1	4	/	0.4	/	SM2	CM3	EM3	EM3	EM3	EM3	0.12	0.18	0.25	0.08 0.25	5x15	0.58
	2m	214D	1	4	1.2	0.4	0.12	SM2	CM3	EM3	EM3	EM3	EM3	0.12	0.18	0.25	0.08 0.25	5x15	0.58
	2m	334C	1	8	/	0.8	/	SM3	CM3	EM3	EM3	EM3	EM3	0.12	0.18	0.25	0.08 0.25	7x21	1.16
	2m	334D	1	8	2.5	0.8	0.24	SM3	CM3	EM3	EM3	EM3	EM3	0.12	0.18	0.25	0.08 0.25	7x21	1.16
	2m	432C	1	16	/	1.6	/	SM4	CM4	EM4	EM4	EM4	EM4	0.12	0.18	0.25	0.08 0.25	10x28	2.42
1000	2m	314C	1	4	/	0.8	/	SM3	CM3	EM3	EM3	EM3	EM3	0.12	0.18	0.25	0.08 0.25	7x21	1.16
	2m	314D	1	4	1.2	0.8	0.24	SM3	CM3	EM3	EM3	EM3	EM3	0.12	0.18	0.25	0.08 0.25	7x21	1.16
	2m	434C	1	8	/	1.6	/	SM4	CM4	EM4	EM4	EM4	EM4	0.12	0.18	0.25	0.08 0.25	10x28	2.42
	2m	434D	1	8	2.5	1.6	0.5	SM4	CM4	EM4	EM4	EM4	EM4	0.12	0.18	0.25	0.08 0.25	10x28	2.42
1600	2m	424L	1	6.3	/	2	/	SM4	CM4	EM4	EM4	EM4	EM4	0.12	0.18	0.25	0.08 0.25	10x28	2.42
	1Am	424D	1	6.3	2.1	2	0.65	SM4	CM4	EM4	EM4	EM4	EM4	0.12	0.18	0.25	0.08 0.25	10x28	2.42
2000	2m	414C	1	4	/	1.6	/	SM4	CM4	EM4	EM4	EM4	EM4	0.12	0.18	0.25	0.08 0.25	10x28	2.42
	2m	414D	1	4	1.2	1.6	0.5	SM4	CM4	EM4	EM4	EM4	EM4	0.12	0.18	0.25	0.08 0.25	10x28	2.42
2500	2m	434L.I	2	4	/	2	/	SM5	CM5	EM5	EM5	EM5	EM5	0.12	0.18	0.25	0.08 0.25	10x28	2.42
	2m	424D.I	2	3.2	1	1.6	0.5	SM5	CM5	EM5	EM5	EM5	EM5	0.12	0.18	0.25	0.08 0.25	10x28	2.42
3200	1Am	434L.J	2	4	/	2.5	/	SM5	CM5	EM5	EM5	EM5	EM5	0.12	0.18	0.25	0.08 0.25	10x28	2.42
	1Am	424D.J	2	3.2	1	2	0.65	SM5	CM5	EM5	EM5	EM5	EM5	0.12	0.18	0.25	0.08 0.25	10x28	2.42
	2m	424L.J	2	3.2	/	2	/	SM5	CM5	EM5	EM5	EM5	EM5	0.12	0.18	0.25	0.08 0.25	10x28	2.42
	2m	454D.J	2	2.5	0.8	1.6	0.5	SM5	CM5	EM5	EM5	EM5	EM5	0.12	0.18	0.25	0.08 0.25	10x28	2.42
4000	1Am	424L.K	2	3.2	/	2.5	/	SM5	CM5	EM5	EM5	EM5	EM5	0.12	0.18	0.25	0.08 0.25	10x28	2.42
	1Am	454D.K	2	2.5	0.8	2	0.65	SM5	CM5	EM5	EM5	EM5	EM5	0.12	0.18	0.25	0.08 0.25	10x28	2.42

Single-phase DMK chain hoists

Capacity (kg)	FEM Group	Type DMK	Chain falls	Lifting speed (m/min.)		Lifting motor power (KW)		DMT trolley for hoist and related speed (m/min.) E=electric trolley S=manual-push trolley C=manual gear operated trolley						Trolley motor power (KW) Speed (m/min.)				Chain type	weight of 1 meter of chain (kg/m)
				1 Speed	2 Speed	1 Speed	2 Speed	S	C	11	14	22	7 22	11	14	22	7 22		
100	1Bm	132M	1	8	/	0.2	/	SM2	CM3	EM3	/	/	/	0.1	/	/	/	4x12	0.38
200	1Bm	112M	1	4	/	0.2	/	SM2	CM3	EM3	/	/	/	0.1	/	/	/	4x12	0.38
	1Bm	234M	1	8	/	0.4	/	SM2	CM3	EM3	/	/	/	0.1	/	/	/	5x15	0.58
400	1Bm	214M	1	4	/	0.4	/	SM2	CM3	EM3	/	/	/	0.1	/	/	/	5x15	0.58
	1Bm	334M	1	8	/	0.8	/	SM3	CM3	EM3	/	/	/	0.1	/	/	/	7x21	1.16
800	1Bm	314M	1	4	/	0.8	/	SM3	CM3	EM3	/	/	/	0.1	/	/	/	7x21	1.16

DMK electric chain hoists - overall dimensions - weights



Size	Chain falls	Type DMK	*Hoist weight (kg)	Overall dimensions (mm)										
				**A	A1	B	C	C1	D	**E	F	G	H	I
1	1	154C	23	285	23	253	355	19	120	138	80	70	14	27
	1	132D/M	23	285	23	253	355	19	120	138	80	70	14	27
	1	134C	23	285	23	253	355	19	120	138	80	70	14	27
	1	112D/M	23	285	23	253	355	19	120	138	80	70	14	27
2	1	232C	33	320	23	268	403	19	135	160	92	70	14	27
	1	234C/M	33	320	23	268	403	19	135	160	92	70	14	27
	1	234D	33	320	23	268	403	19	135	160	92	70	14	27
	1	214C/M	33	320	23	268	403	19	135	160	92	70	14	27
3	1	332C	50	386	28	293	468	25	160	196	114	70	14	30
	1	334C/M	50	386	28	293	468	25	160	196	114	70	14	30
	1	334D	50	386	28	293	468	25	160	196	114	70	14	30
	1	314C/M	50	386	28	293	468	25	160	196	114	70	14	30
4	1	432C	80	483	32	332	526	27	200	245	146	90	20	35
	1	434C	80	483	32	332	526	27	200	245	146	90	20	35
	1	434D	80	483	32	332	526	27	200	245	146	90	20	35
	1	424L	80	483	32	332	526	27	200	245	146	90	20	35
	1	414C	80	483	32	332	526	27	200	245	146	90	20	35
	1	414D	80	483	32	332	526	27	200	245	146	90	20	35
	2	434L.I	105	670	25	395	526	50	200	432	71	90	25	/
	2	424D.I	105	670	25	395	526	50	200	432	71	90	25	/
	2	434L.J	105	670	25	395	526	50	200	432	71	90	25	/
	2	424D.J	105	670	25	395	526	50	200	432	71	90	25	/
	2	424L.J	105	670	25	395	526	50	200	432	71	90	25	/
	2	454D.J	105	670	25	395	526	50	200	432	71	90	25	/
2	424L.K	105	670	25	395	526	50	200	432	71	90	25	/	
2	454D.K	105	670	25	395	526	50	200	432	71	90	25	/	

* Weight of hoist with 3m hook run and 2m pushbutton panel cable.

** With application of raise/lower electric limit switches A and E dimensions increase by:

- DMK 1 + 45 mm
- DMK 2 + 40 mm
- DMK 3 + 45 mm
- DMK 4 (1 fall) + 60 mm

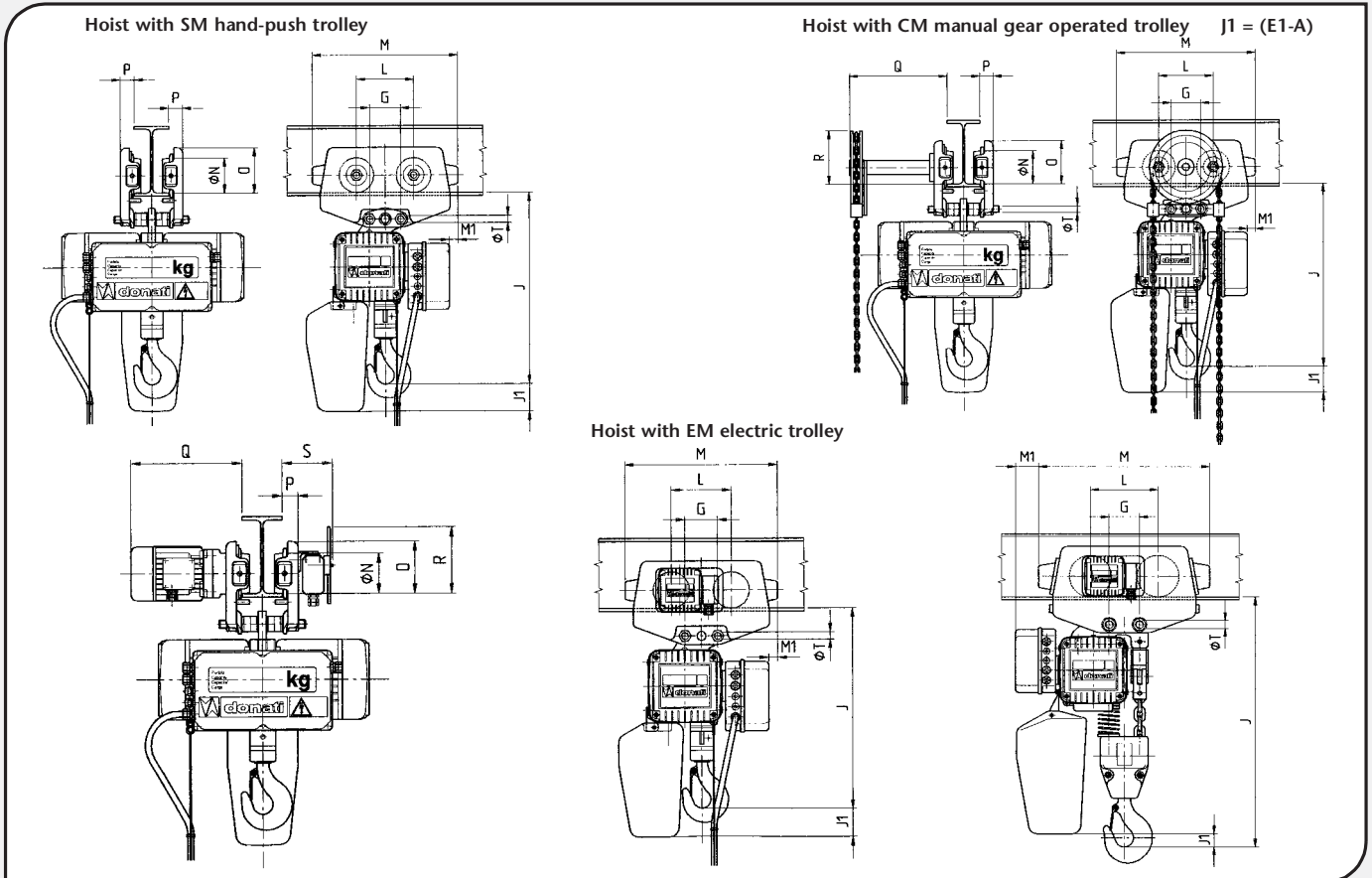
Chain box type (C-D-E-F-G-H-I)

Size	Chain falls		C	D	E	F	G	H	I
1	1	Max hook run (m)	5	8	12				
	1	E1	347	372	397				
	1	F1	47	63	77				
2	1	Max hook run (m)	/	4	7	12	18		
	1	E1	/	385	410	440	480		
	1	F1	/	56	70	92	112		
3	1	Max hook run (m)	/	/	3	5	10	12	24
	1	E1	/	/	440	470	510	560	650
	1	F1	/	/	55	77	97	127	177
4	1	Max hook run (m)	/	/	/	/	4	8	16
	1	E1	/	/	/	/	560	610	700
	1	F1	/	/	/	/	80	110	160
	2	Max hook run (m)	/	/	/	/	/	4	6
	2	E1	/	/	/	/	/	628	718
2	F1	/	/	/	/	/	130	180	

NOTE With application of raise/lower limit switches on 1 chain fall hoists, the maximum capacity of the chain box decreases by 1 m of hook run and the E1 dimension increases by 25 mm.

DMK electric chain hoists with DMT travel trolleys

Overall dimensions - Weights



DMK size	Chain falls	DMT trolley type	*Hoist trolley weight (kg)	Overall dimensions (mm)										
				***J	L	M	M1	ØN	O	P	**Q	R	S	ØT
1	1	SM2	29	340	100	236	54	52	72	20	/	/	/	M16
	1	EM3	58	355	135	355	-6	80	108	30	247(268)	165	88	M14
	1	CM3	41	355	135	355	-6	80	108	30	220	108	/	M14
2	1	SM2	39	375	100	236	58	52	72	20	/	/	/	M16
	1	EM3	68	390	135	355	-2	80	108	30	247(268)	165	88	M14
	1	CM3	51	390	135	355	-2	80	108	30	220	108	/	M14
3	1	SM3	62	456	135	355	2	80	108	30	/	/	/	M14
	1	EM3	85	456	135	355	2	80	108	30	247(268)	165	88	M14
	1	CM3	68	456	135	355	2	80	108	30	220	108	/	M14
4	1	SM4	105	560	165	420	-24	100	130	40	/	/	/	M20
	1	EM4	130	560	165	420	-24	100	130	40	257(278)	165	99	M20
	1	CM4	115	560	165	420	-24	100	130	40	300	160	/	M20
	2	SM5	160	755	201	510	70	125	155	55	/	/	/	M24
	2	EM5	190	755	201	510	70	125	155	55	273(293)	208	110	M24
	2	CM5	170	755	201	510	70	125	155	55	340	198	/	M24

* Weight referred to 3m- hook-run hoist.

** Dimensions for 2-speed trolley in brackets.

*** SM3/EM3/CM3: for width > of 220 mm up to 400 mm dimension J increases by 70 mm

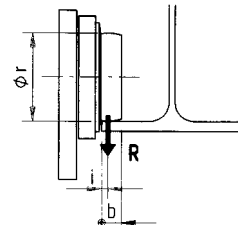
SM4/EM4/CM4: for width > of 220 mm up to 400 mm dimension J increases by 60 mm

SM5/EM5/CM5: for width > of 240 mm up to 400 mm dimension J increases by 75 mm

NOTE When the hoist is equipped with raise/lower limit switches, dimension J increases as much as dimensions A and E, page 11 and note regarding the chain box.

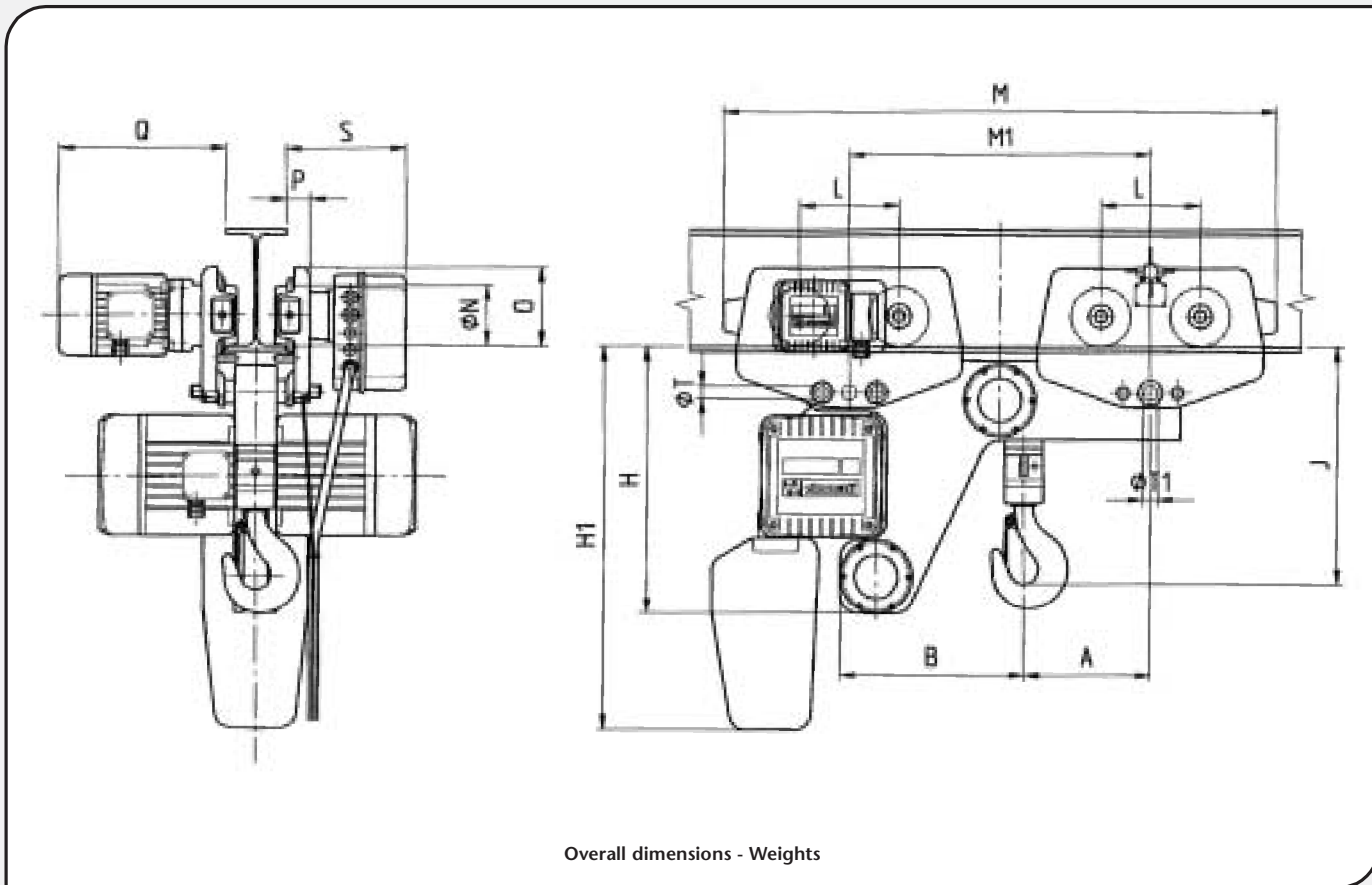
Maximum reactions of DMT trolleys wheel on beam flange

DMK size	Max capacity (kg)	DMT trolley type	Overall dimensions (mm)			*max R (kg)
			Ør	i	b	
1	250	SM2	52	5	15	80
		EM3/CM3	80	7	16	87
2	500	SM2	52	5	15	154
		EM3/CM3	80	7	16	161
3	1000	SM3 EM3/CM3	80	7	16	309
4	2000	SM4 EM4/CM4	100	9	19	608
	4000	SM5 EM5/CM5	125	14	29	1193



*Max R calculated with a dynamic coefficient of 1.15 and no M increasing coefficient.

DMK electric chain hoists with DMT trolley low headroom execution



DMK size	Capacity max (kg)	DMT trolley type	*Hoist trolley weight (kg)	Overall dimensions (mm)														
				A	B	H	J	L	M	M1	ØN	O	P	**Q	S	ØT	ØT1	***H1
1	250	SM3+SM3	60	170	228	295	235	135	735	380	80	108	30	/	/	M14	M16	417
		SM3+EM3	75	170	228	295	235	135	735	380	80	108	30	247(268)	160	M14	M16	417
2	500	SM3+SM3	67	176	240	315	260	135	755	400	80	108	30	/	/	M14	M16	455
		SM3+EM3	80	176	240	315	260	135	755	400	80	108	30	247(268)	160	M14	M16	455
3	1000	SM3+SM3	100	190	275	365	316	135	805	450	80	108	30	/	/	M14	M16	510
		SM3+EM3	115	190	275	365	316	135	805	450	80	108	30	247(268)	160	M14	M16	510
4	2000	SM4+SM4	155	205	310	440	390	165	920	500	100	130	40	/	/	M20	M24	637
		SM4+EM4	170	205	310	440	390	165	920	500	100	130	40	257(278)	170	M20	M24	637
	a richiesta	/	/	/	/	/	/	/	/	/	/	/	/	/	/	/	/	/
	a richiesta	/	/	/	/	/	/	/	/	/	/	/	/	/	/	/	/	/

* Weight refers to 3m- hook-run hoist.

** Dimensions for 2-speed trolley in brackets.

SM3+SM3 = Hand-push travel

SM3+EM3 = Electric travel

*** Dimensions with 3m hook-run.

Maximum reactions of DMT trolley wheels on beam flange for DMK in low headroom execution

DMK size	Max capacity (kg)	DMT trolley type	Ør	i	b	*max R (kg)	Overall dimensions (mm)
1	250	SM3+SM3	80	7	16	44	
		SM3+EM3				45	
2	500	SM3+SM3	80	7	16	80	
		SM3+EM3				82	
3	1000	SM3+SM3	80	7	16	156	
		SM3+EM3				158	
4	2000	SM4+SM4	100	9	19	307	
		SM4+EM4				309	
	4000	SM5-SM5(a richiesta)	125	14	29	/	
		SM5-SM5(a richiesta)				/	

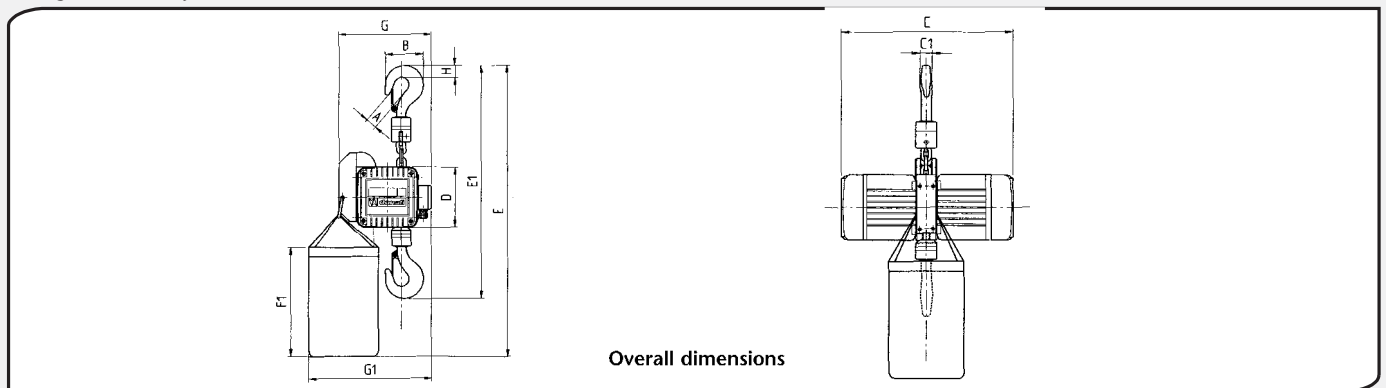
*Max R calculated with a dynamic coefficient of 1.15 and no M increasing coefficient.

Characteristics and technical data for DMK chain hoist, climbing execution

Characteristics and technical data for DMK chain hoist, climbing execution

Capacity (kg)	FEM Group	Type	Chain falls	Lifting speed (m/min)		Lifting motor capacity		*Hoist weight (kg)	Chain type	Chain weight per meter (kg/m)
				1 Speed	2 Speed	1 Speed	2 Speed			
125	2m	154C	1	8	/	0.2	/	11	4X12	0.38
250	2m	134C	1	4	/	0.2	/	11	4X12	0.38
	2m	234C	1	8	/	0.4	/	19	5X15	0.58
500	2m	214C	1	4	/	0.4	/	19	5X15	0.58
	2m	334C	1	8	/	0.8	/	32	7X21	1.16
1000	2m	314C	1	4	/	0.8	/	32	7X21	1.16
	2m	434C	1	8	/	1.6	/	49	10X28	2.42
2000	2m	414C	1	4	/	1.6	/	49	10X28	2.42

* Weight of hoist only, without chain, chain box and controls.



DMK Size	Max capacity (kg)	DMK hoist type DMK	Overall dimensions (mm)											
			A	C	D	E	E1	F	F1	G	G1	H	S	
1	125	154C	24	67	355	120	710	400	230	360	210	310	19	19
	250	134C	24	67	355	120	710	400	230	360	210	310	19	19
2	250	234C	28	83	403	135	740	465	230	360	225	325	24	22
	500	214C	28	83	403	135	740	465	230	360	225	325	24	22
3	500	334C	34	103	468	160	800	577	230	360	250	350	31	29
	1000	314C	34	103	468	160	800	577	230	360	250	350	31	29
4	1000	434C	40	127	526	200	880	716	230	360	307	410	40	38
	2000	414C	40	127	526	200	880	716	230	360	307	410	40	38

Types of tension rods according to min. and max dimensions of beams

Trolley type	Beam type	Group 1	Group 2	Group 3	Group 4	* Minimum radius of internal curvature (mm)
SM2	INP	100÷160	180÷280	300÷380	400	1000
	IPE	100÷140	160÷240	270÷300	330÷500	
	HEA	-	120	140	160÷200	
SM3	INP	140÷160	180÷280	300÷450	500÷600	1300
	IPE	140	160÷240	270÷400	450÷600	
	HEA	-	-	140÷180	200÷220	
SM4	INP	160÷280	300÷400	450÷600	-	1500
	IPE	160÷240	270÷330	360÷600	-	
	HEA	-	160	180÷220	-	
SM5	INP	180÷300	320÷500	550÷600	-	1900
	IPE	180÷240	270÷400	450÷600	-	
	HEA	-	180	200÷240	-	
CM3	INP	140÷160	180÷280	300÷450	500÷600	1300
	IPE	140	160÷240	270÷400	450÷600	
	HEA	-	-	140÷180	200÷220	
CM4	INP	180÷280	300÷400	450÷600	-	1500
	IPE	180÷240	270÷330	360÷600	-	
	HEA	-	-	200÷220	-	
CM5	INP	220÷300	320÷500	550÷600	-	1900
	IPE	220÷240	270÷400	450÷600	-	
	HEA	-	-	240	-	
EM3	INP	140÷160	180÷280	300÷450	500÷600	1300
	IPE	140	160÷240	270÷400	450÷600	
	HEA	-	-	140÷180	200÷220	
EM4	INP	160÷280	300÷400	450÷600	-	1500
	IPE	160÷240	270÷330	360÷600	-	
	HEA	-	160	180÷220	-	
EM5	INP	180÷300	320÷500	550÷600	-	1900
	IPE	180÷240	270÷400	450÷600	-	
	HEA	-	180	200÷240	-	

NOTE For EM electric trolleys with electric travel limit switches, check the R dimension, page 12

* Available on request: electric trolleys suitable to run on a bend by guide roller kit.

Electric characteristics of motors, fuses and power cables

Hoist type	Motor type	Poles	Power KW	Power factor cosφ	I _a 50Hz - (In) 50Hz			Fuses aM			Power cable section					
					380V A	400V A	415V A	380V A	400V A	415V A	380V (ΔU 19V)		400V (ΔU 20V)		415V (ΔU 21V)	
											Ø mm ²	L m	Ø mm ²	L m	Ø mm ²	L m
134C-154C-144C 164C	71C4AS1/1	4	0.2	0.43	3.8(1.4)			6			1.5 ≤100		1.5 ≤100		1.5 ≤100	
144L-164L	72C4AS1/1	4	0.3	0.43	6.5(2.3)			6			1.5 ≤100		1.5 ≤100		1.5 ≤100	
152C-152L-142L 162L	72C2AS1/1	2	0.3	0.43	6.6(2.2)			6			1.5 ≤100		1.5 ≤100		1.5 ≤100	
112D-132D-122D 142D-152D	72K1AS1/1	2/6	0.2/0.06	0.6/0.5	3.3/1.8 (0.8/0.8)			6			1.5 ≤100		1.5 ≤100		1.5 ≤100	
232C-222C-242C	80C2AS2/1	2	0.4	0.45	6.5(2.5)			6			1.5 ≤100		1.5 ≤100		1.5 ≤100	
214C-234C-224C	80C4AS2/1	4	0.4	0.48	6.4(2.1)			6			1.5 ≤100		1.5 ≤100		1.5 ≤100	
222D-232D-242D	81K1AS2/1	2/6	0.4/0.12	0.55/0.45	7.3/2.7(1.8/1.2)			6			1.5 ≤100		1.5 ≤100		1.5 ≤100	
222L-232L-242L	81K2AS2/1	2	0.6	0.5	11(3.2)			6			1.5 ≤100		1.5 ≤100		1.5 ≤100	
224L-234L	81K4AS2/1	4	0.6	0.5	8.4(2.6)			6			1.5 ≤100		1.5 ≤100		1.5 ≤100	
214D-234D-224D	81K5AS2/1	4/12	0.4/0.12	0.6/0.6	5.2/3(1.6/2)			6			1.5 ≤100		1.5 ≤100		1.5 ≤100	
212F-222F-232F 242F	81K7AS2/1	2/12	0.4/0.06	0.5/0.6	7/3(2/1.6)			6			1.5 ≤100		1.5 ≤100		1.5 ≤100	
322C-332C-342C	90C2AS3/1	2	0.8	0.6	14.5(4.8)			6			2.5 ≤100		2.5 ≤100		2.5 ≤100	
314C-324C-334C	90C4AS3/1	4	0.8	0.46	14(5.2)			6			2.5 ≤100		2.5 ≤100		2.5 ≤100	
322D-332D-342D	91K1AS3/2	2/6	0.8/0.24	0.8/0.5	8.5/4.3(2.6/3.1)			6			1.5 ≤100		1.5 ≤100		1.5 ≤100	
322L-332L-342L	91K2AS3/2	2	1.2	0.7	15(3.2)			10			2.5 ≤100		2.5 ≤100		2.5 ≤100	
324L-334L	91K4AS3/2	4	1.2	0.53	21(5.2)			10			2.5 ≤80		2.5 ≤80		2.5 ≤80	
314D-324D-334D	91K5AS3/2	4/12	0.8/0.24	0.6/0.55	14.6/4(3.1/2.6)			6			2.5 ≤100		2.5 ≤100		2.5 ≤100	
312F-322F-332F 342F	91K7AS3/2	2/12	0.8/0.12	0.7/0.5	15/3(2.2/1.7)			6			2.5 ≤100		2.5 ≤100		2.5 ≤100	
432C-422C-442C	100C2AS4/1	2	1.6	0.7	32(6.2)			16			2.5 ≤50		2.5 ≤50		2.5 ≤50	
414C-424C-434C	100C4AS4/1	4	1.6	0.6	28(6.5)			16			2.5 ≤60		2.5 ≤60		2.5 ≤60	
422D-432D-442D	101K1AS4/1	2/6	1.6/0.53	0.8/0.5	28/6(5.5/4)			16			2.5 ≤50		2.5 ≤50		2.5 ≤50	
422L-432L-442L	101K2AS4/1	2	2.5	0.75	46(9.7)			20			2.5 ≤30		2.5 ≤30		2.5 ≤30	
424L-434L	101K4AS4/1	4	2.5	0.7	38(6.2)			20			2.5 ≤40		2.5 ≤40		2.5 ≤40	
414D-424D-434D	101K5AS4/1	4/12	1.6/0.5	0.62/0.4	28/12(5.5/6)			16			2.5 ≤60		2.5 ≤60		2.5 ≤60	
412F-422F-432F 442F	101K7AS4/1	2/12	1.6/0.25	0.8/0.5	30/12(4/4.1)			16			2.5 ≤50		2.5 ≤50		2.5 ≤50	
DMK4 2 falls	101K5AS4/2	4/12	2/0.65	0.72/0.5	28/8(6.5/5)											
Single-phase					I _a - (In) 230V - 50Hz			230V			Ø mm ²		230V (ΔU 11.5V)		L m	
132M-112M	72K2AM1/1	2	0.2	0.9	9.6 (3.2)			6			1.5		≤ 50			
234M-214M	81K4AM2/1	4	0.4	0.9	11.3 (5.2)			10			1.5		≤ 40			
334M-314M	91K4AM3/2	4	0.8	0.9	32 (12)			20			2.5		≤ 30			

Trolley type	Motor type	Poles	Power kw	Power factor cosφ	I _a 50Hz - (In) 50Hz 400V A		
EM3-EM4-EM5	71C4TV1/1	4	0.25	0.43	3.8(1.4)		
EM3-EM4-EM5	71C8TS1/1	8	0.12	0.53	2.5(1.3)		
EM3-EM4-EM5	72K6TS1/1	6	0.18	0.5	3(1.7)		
EM3-EM4-EM5	81C5AD2/1	4/12	0.25/0.08	0.54/0.7	4.5/1.8(1.4/1.2)		
Single-phase					I _a - (In) 230V 50Hz A		
EM3	71C8TM1/1	8	0.1	0.8	8.6 (3.2)		