

PROSYSTEM[®]

Jib Cranes



Column Mounted Jib Cranes

125 kg - 1500 kg

Wall Mounted Jib Cranes

PROSYSTEM® Jib Cranes

Standard design - **fast delivery**

Good weight/stiffness ratio - **minimal bending**

High quality bearing - **light to use and ergonomic**



PROSYSTEM® column mounted jib crane is suitable in cases when there is no required mounting support for wall mounted jib crane. The height of the column is chosen by the lifting height wanted.

PROSYSTEM® wall mounted jib crane is a flexible solution for a workstation, which is near a wall or other vertical element. It can be mounted under a bridge crane to which height ever and it requires only little space.

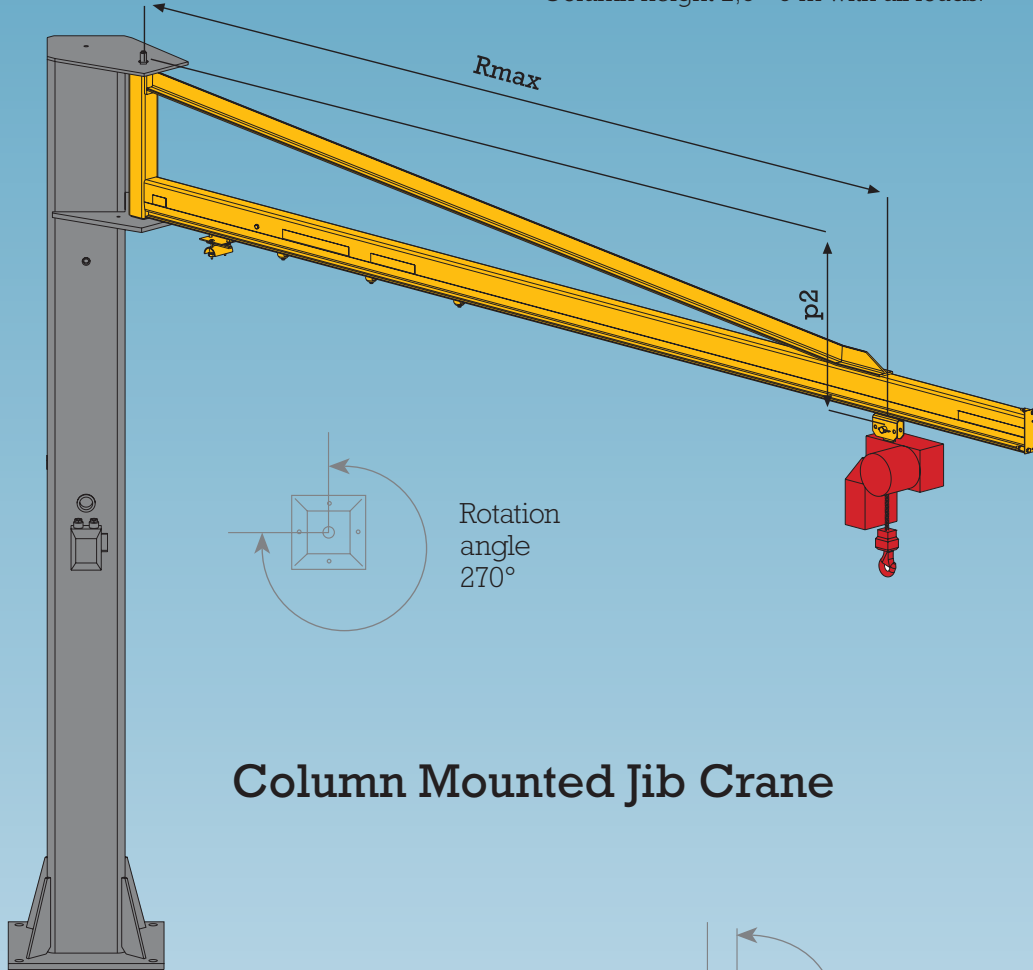
PROSYSTEM® wall and column mounted jib cranes are flexible solution for workstation applications. The hoist is self-centring and easy to slew providing space for large lifts. Ergonomic handling increases productivity and workplace accidents caused by wrong lifting procedures are eliminated. Wall-mounted and column-mounted jib cranes, including the trolley and the electrical equipment for the current feed, are delivered surface treated.

For low headroom locations the jib cranes are delivered with a bottom support to achieve the best possible lifting height.



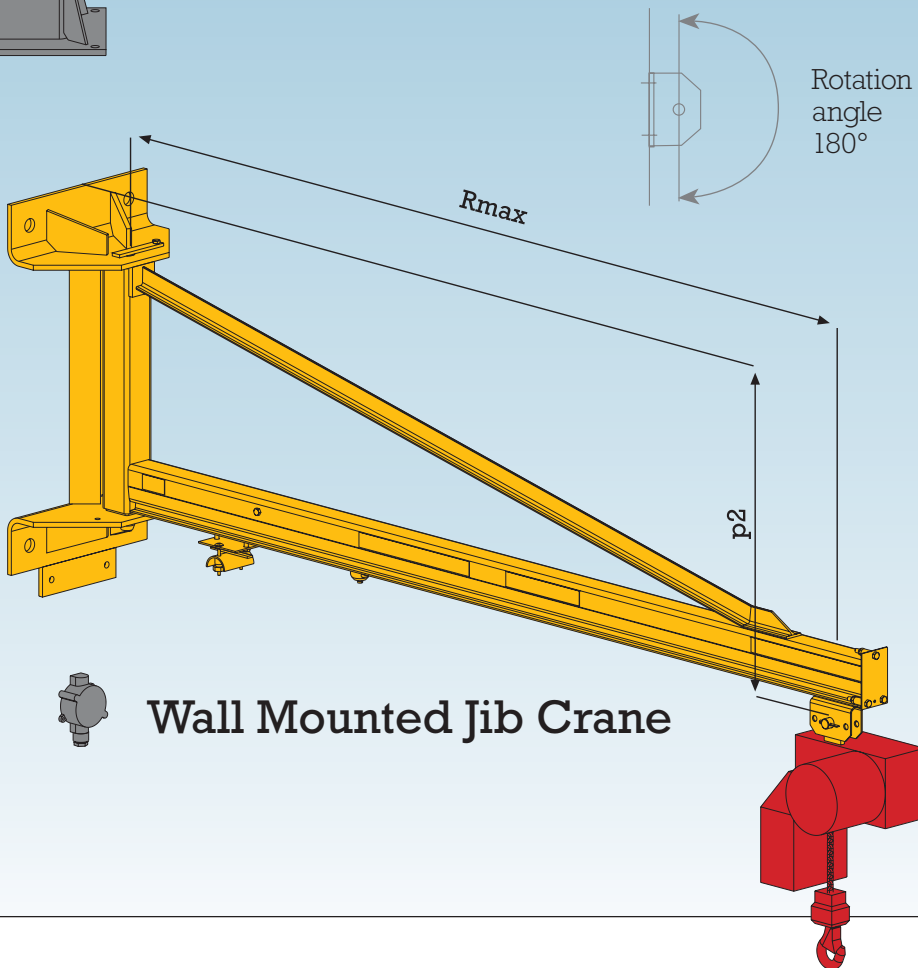
PROSYSTEM[®] Jib Cranes

Column height 2,5 - 5 m with all loads.



Column Mounted Jib Crane

Load kg	Rmax mm	p2 mm
125	1940	547
250	1940	
500	1815	
125	2940	547
250	2815	
500	2815	
1000	2817	849
1500	2817	854
125	3940	547
250	3967	
500	3967	
1000	3817	854
1500	3817	1054
125	4940	547
250	4967	
500	4967	
1000	4817	854
1500	4817	1054
125	5940	547
250	5967	
500	5967	
1000	5817	849
125	5940	854
250	6967	
500	6967	
125	5940	854
250	7967	
500	7967	
1000	5817	1054
1500	5817	1054



Wall Mounted Jib Crane

Load kg	Rmax mm	p2 mm
125	1940	655
250	1940	
500	1815	
125	2940	655
250	2815	
500	2815	
1000	2817	976
1500	2817	976
125	3940	655
250	3967	
500	3967	
1000	3817	976
1500	3817	1176
125	4940	655
250	4967	
500	4967	
1000	4817	976
1500	4817	1176
125	5940	655
250	5967	
500	5967	
1000	5817	1176
125	5940	976
250	6967	
500	6967	
125	5940	976
250	7967	
500	7967	
1000	5817	1176
1500	5817	1176

Also available Light Crane System



Personal Ergonomic Lifting Device



Robotic Cranes



PROSYSTEM[®] Jib Cranes